
Pulse Width Modulation Generation Using the AT91 Timer/Counter

Introduction

This application note describes how to generate a Pulse Width Modulation (PWM) signal, tunable in frequency and duty cycles, by using the AT91 Timer/Counter (TC).

Timer/Counter Overview

The AT91 series of microcontrollers feature a Timer Counter block which includes three identical 16-bit timer counter channels. Each channel can be independently programmed, through its two operating modes, to perform a wide range of functions including frequency measurement, event counting, interval measurement, pulse generation, delay timing, pulse width modulation and interrupt generation.

Each Timer Counter channel has 3 external clock inputs, 5 internal clock inputs, and 2 multi purpose input/output signals, which can be configured by the user. Each channel drives an internal interrupt signal, which can be programmed to generate processor interrupts via the Advanced Interrupt Controller (AIC). The three Timer Counter channels are independent and identical in operation. Each Timer Counter channel is organized around a 16-bit counter. The value of the counter is incremented at each positive edge of the selected clock. When the counter has reached the value 0xFFFF and passes to 0x0000, an overflow occurs and the bit COVFS in TCx_SR (Status Register) is set.

The current value of the counter is accessible in real-time by reading TCx_CV. A trigger can reset the counter. In this case, the counter value passes to 0x0000 on the next valid edge of the selected clock.



**AT91 ARM[®]
Thumb[®]
Microcontrollers**

**Application
Note**

2682B-ATARM-03-Oct-03



Timer/Counter Operating Modes

Each Timer Counter channel can operate independently in two different modes:

- Capture Mode provides measurement on signals.
- Waveform Mode provides wave generation.

The Timer Counter Operating Mode is programmed with the WAVE bit in the TC Channel Mode Register (TCx_CMR). In Capture Mode, TIOA and TIOB are configured as inputs. In Waveform Mode, TIOA is always configured to be an output and TIOB is an output if it is not selected to be the external trigger.

Trigger

A trigger resets the counter and starts the counter clock. Three types of triggers are common to both modes, and a fourth external trigger is available to each mode.

Common Triggers

The following triggers are common to both operating modes:

- Software Trigger: Each channel has a software trigger, available by setting SWTRG in TCx_CCR.
- SYNC: Each channel has a synchronization signal SYNC. When asserted, this signal has the same effect as a software trigger. The SYNC signals of all channels are asserted simultaneously by writing TC_BCR (Block Control) with SYNC set.
- Compare RC Trigger: RC is implemented in each channel and can provide a trigger when the counter value matches the RC value if CPCTRG is set in TCx_CMR.

External Trigger

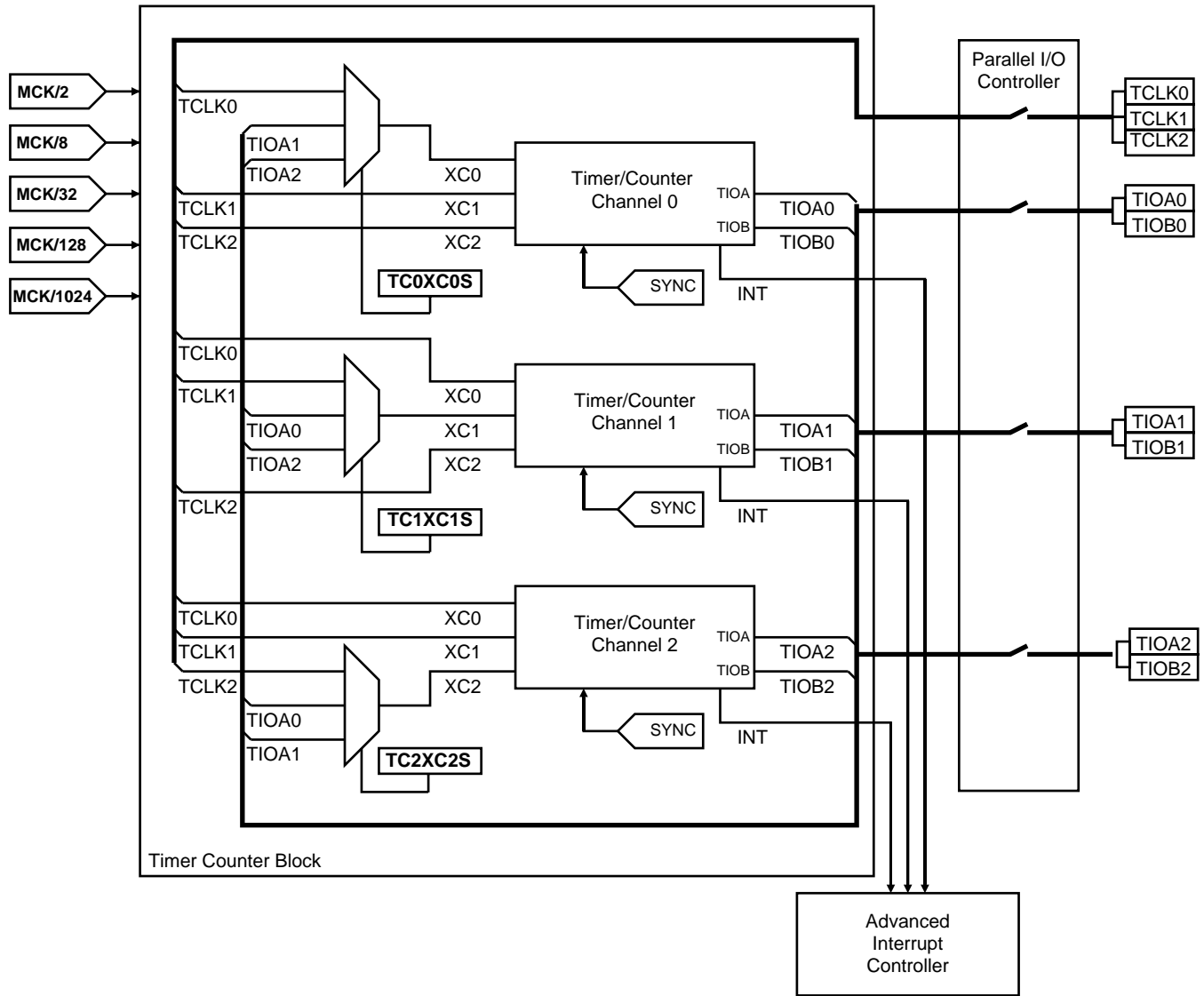
The Timer Counter channel can also be configured to have an external trigger. In Capture Mode, the external trigger signal can be selected between TIOA and TIOB. In Waveform Mode, an external event can be programmed on one of the following signals: TIOB, XC0, XC1 or XC2. This external event can then be programmed to perform a trigger by setting ENETRIG in TCx_CMR.

If an external trigger is used, the duration of the pulses must be longer than the system clock (MCK) period in order to be detected.

PWM Generation Using AT91 Timer/Counter

Timer/Counter Block Diagram

Figure 1. Timer/Counter Block Diagram



Clock Source

Each channel can independently select an internal or external clock source for its counter:

- Internal clock signals: MCK/2, MCK/8, MCK/32, MCK/128, MCK/1024
- External clock signals: XC0, XC1 or XC2

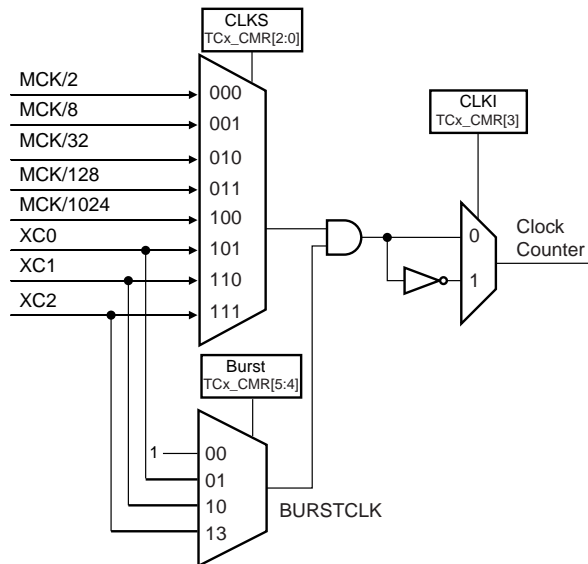
The three-bit TCCLKS field of the mode register TCx_CMR determines whether the counter is clocked by one of the five internal clock sources (MCK/x) or one of the three external clock sources (TCLKx).

The selected clock can be inverted with the CLKI bit in TCx_CMR (Channel Mode Register). This enables counting on the opposite edges of the clock.

The burst function allows the clock to be validated when an external signal is high. The BURST parameter in the Mode Register defines this signal (none, XC0, XC1, XC2).

Note: In all cases, if an external clock is used, the duration of each of its levels must be longer than the system clock (MCK) period. The external clock frequency must be at least 2.5 times lower than the system clock (MCK).

Figure 2. Timer/Counter Clock Source



The maximal counter duration when an internal clock is used is determined by the internal clock MCK and the prescaler number:

$$\text{maximal counter duration (seconds)} = 2^{16} / F_{TC} \text{ where } F_{TC} \text{ is in Hz.}$$

$$\text{counter resolution} = 1 / F_{TC}$$

Table 1. Maximum Counter Duration for MCK

MCK	5 MHz	10 MHz	20 MHz	33 MHz	66 MHz
MCK/2	26.21ms	13.10ms	6.55ms	3.97ms	1.98ms
MCK/8	104.8ms	52.4ms	26.22ms	14.89ms	7.45ms
MCK/16	419.4ms	209.7ms	104.86ms	63.86ms	31.98ms
MCK/128	1.68s	838.8ms	420.4ms	254.2ms	127.1ms
MCK/1024	13.42s	6.71s	3.36ms	2.03s	1.02s

Pulse Width Modulation Generation

The waveform mode is entered by setting the bit WAVE (bit 15 in the Mode Register) to 1. It forces TIOA as an output pin. TIOB can be used either as an output (dual waveform mode) or as an input (single waveform mode). Waveform Operating Mode allows the TC Channel to generate 1 or 2 PWM signals with the same frequency and independently programmable duty cycles, or to generate different types of one-shot or repetitive pulses.

In Waveform Operating Mode, RA, RB and RC are all used as compare registers. The compare registers can generate a counter reset (RC) or a waveform modification (RA, RB and RC) when the counter reaches the value programmed in them.

RA Compare is used to control the TIOA output. RB Compare is used to control the TIOB (if configured as an output). RC Compare can be programmed to control TIOA and/or TIOB outputs. RC Compare can also generate a trigger if bit CPCTRG = 1. A trigger resets the counter so that RC can control the period of PWM waveforms. Each of these events can be programmed to set, clear or toggle the output as defined in the corresponding parameter in TCx_CMCR.

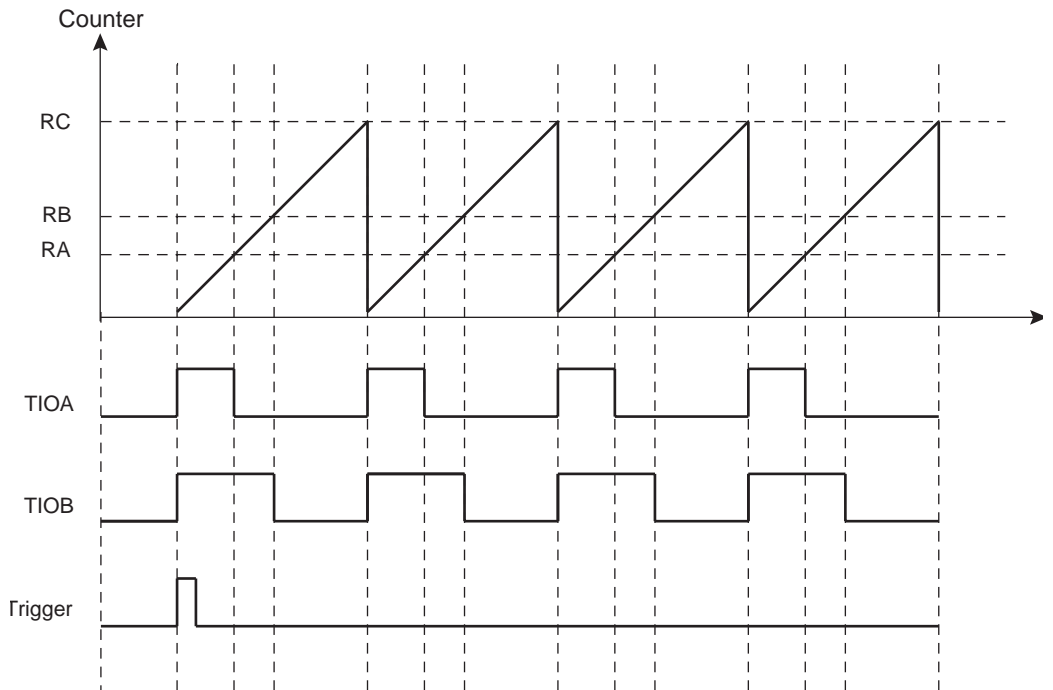
Application Example

Use the AT91 Timer/Counter for the generation of two 1 kHz frequency PWM with 30% duty cycle on TIOA and 50% duty cycle on TIOB. This application example is based on the AT91EB40A Evaluation Board but applicable to all AT91 products.

Timer configuration

The RC compare can generate a trigger if bit CPCTRG in the TC Mode Register is set to 1. A trigger resets the counter so the PWM signal period can be controlled by the RC Compare register. The duty cycle on TIOA and TIOB is controlled by the RA and RB Compare registers respectively. The trigger event sets TIOA and TIOB then TIOA is toggled by RA and RC, TIOB by RB and RC as shown below in Figure 3.

Figure 3. Dual Pulse Width Modulation Generation



The Master Clock MCK on the AT91EB40A Evaluation Board is 66 MHz. The value needed in the compare register C to assure a timer period of 1ms (1kHz PWM fre-

quency) must be established. The PWM frequency is controlled by the compare register RC:

The minimal prescaler value required to select the timer clock F_{TC} must first be determined. The maximal counter value is 0xFFFF (65535):

$$DIV_{min} = t \times \frac{MCK}{65535} = 0.001 \times \frac{66000000}{65535} = 1.007$$

The value ≥ 1.007 is $DIV = 2$. Therefore, the timer clock F_{TC} must be at least $MCK/2$ (33000000Hz) to have a RC compare period of 1ms.

In an application, the required compare register values must be calculated using the following equation:

$$\text{Compare Value} = (t \times F_{TC})$$

Where

t = desired timer compare period (second)

F_{TC} = timer clock frequency(Hertz)

Compare register RC:

$$RC = \frac{F_{TC}}{F_{pwm}} = \frac{MCK/2/1000}{1000} = \frac{33000000}{1000} = 33000 = 0 \times 80E8$$

30% duty cycle on TIOA, compare register RA:

$$(RA) = 30\% \cdot (RC)$$

$$\Rightarrow RA = \frac{30 \times 33000}{100} = 9900 = 0 \times 26AC$$

50% duty cycle on TIOB, compare register RB:

$$(RA) = 50\% \cdot (RC)$$

$$\Rightarrow RA = \frac{50 \times 33000}{100} = 16500 = 0 \times 4074$$

PWM Generation Using AT91 Timer/Counter

Software Code

The following software code example generates a dual 1kHz PWM with 30% duty cycle on TIOA and 50% duty cycle on TIOB by using the Timer/Counter 1 in waveform mode on the AT91EB40A Evaluation Board and is applicable to the entire AT91 series.

```
/*-----  
/*The software is delivered "AS IS" without warranty or condition of any kind, either express, implied or  
statutory. This includes  
/*without limitation any warranty or condition with respect to merchantability or fitness for any particular  
purpose, or against the  
/*infringements of intellectual property rights of others.  
/*-----  
/* File Name      : wave_pwm.c  
/* Object         : AT91EB40A - Timer Counter - Dual PWM generation  
/* Author         : AT91 Application Group  
/*-----  
/* Configure the channel 1 of the Timer Counter(TC) of the AT91EB40A to aim dual waveform generation :  
/* - PWM frequency = 1kHz  
/* - clock selected = MCK / 2  
/* - Register A compare toggle TIOA1 when reached  
/* - Register B compare toggle TIOB1 when reached  
/* - Register C compare toggle TIOA1 and TIOB1 when reached  
/*-----  
  
#define TC1_CCR ((volatile unsigned int *) 0xFFFE0040)  
#define TC1_CMR ((volatile unsigned int *) 0xFFFE0044)  
#define TC1_RA ((volatile unsigned int *) 0xFFFE0054)  
#define TC1_RB ((volatile unsigned int *) 0xFFFE0058)  
#define TC1_RC ((volatile unsigned int *) 0xFFFE005C)  
  
#define PIO_PDR ((volatile unsigned int *) 0xFFFF0004)  
  
/* TC_CMR: Timer Counter Channel Mode Register Bits Definition  
#define TC_CLKS_MCK20x0  
#define TC_EEVT_XC0 0x400  
#define TC_CPCTRG 0x4000  
#define TC_WAVE 0x8000  
#define TC_ACPA_TOGGLE_OUTPUT 0x30000  
#define TC_ACPC_TOGGLE_OUTPUT 0xC0000  
#define TC_ASWTRG_SET_OUTPUT 0x400000  
#define TC_BCPB_TOGGLE_OUTPUT 0x3000000  
#define TC_BCPC_TOGGLE_OUTPUT 0xC000000  
#define TC_BSWTRG_SET_OUTPUT 0x40000000  
  
/* TC_CCR: Timer Counter Control Register Bits Definition  
#define TC_CLKEN 0x1  
#define TC_CLKDIS 0x2  
#define TC_SWTRG 0x4  
  
/* PIO Controller
```



```
#define PIOTIOA1      4      /* Timer 1 Signal A */
#define PIOTIOB1     5      /* Timer 1 Signal B */

/**-----
/** Function Name      : main
/** Object: Timer Counter 1 configuration to generate Dual PWM generation
/**-----

int main ( void )
/** Begin
{
*TC1_CCR = TC_CLKDIS ;          /* Disable the Clock Counter */

*PIO_PDR = (1<<PIOTIOA1) | (1<<PIOTIOB1) ; /* Define TIOA1 and TIOB1 as peripheral */

/** Timer/Counter 1 mode configuration
*TC1_CMR =
    TC_BSWTRG_SET_OUTPUT      | /* BSWTRG      : software trigger set TIOB */
    TC_BCPC_TOGGLE_OUTPUT    | /* BCPC        : Register C compare toggle TIOB */
    TC_BCPB_TOGGLE_OUTPUT    | /* BCPB        : Register B compare toggle TIOB */
    TC_ASWTRG_SET_OUTPUT     | /* ASWTRG     : software trigger set TIOA */
    TC_ACPC_TOGGLE_OUTPUT    | /* ACPC        : Register C compare toggle TIOA */
    TC_ACPA_TOGGLE_OUTPUT    | /* ACPA        : Register A compare toggle TIOA */
    TC_WAVE                   | /* WAVE        : Waveform mode */
    TC_CPCTR                  | /* CPCTR       : Register C compare trigger enable */
    TC_EEVT_XC0               | /* EEVT        : XC0 as external event (TIOB=output) */
    TC_CLKS_MCK2 ;           | /* TCCLKS     : MCK / 2 */

/** Compare registers initialization
*TC1_RC = 0x80E8 ;           /* 1kHz PWM generation */
*TC1_RB = 0x4074 ;           /* 30% duty cycle on TIOB1 */
*TC1_RA = 0x26AC ;           /* 50% duty cycle on TIOA1 */

*TC1_CCR = TC_CLKEN ;       /* Enable the Clock counter */
*TC1_CCR = TC_SWTRG ;       /* Trig the timer */

for ( ;; )
{
}/** End for

return(0) ;
}/**End
```




Atmel Corporation

2325 Orchard Parkway
San Jose, CA 95131, USA
Tel: 1(408) 441-0311
Fax: 1(408) 487-2600

Regional Headquarters

Europe

Atmel Sarl
Route des Arsenaux 41
Case Postale 80
CH-1705 Fribourg
Switzerland
Tel: (41) 26-426-5555
Fax: (41) 26-426-5500

Asia

Room 1219
Chinachem Golden Plaza
77 Mody Road Tsimshatsui
East Kowloon
Hong Kong
Tel: (852) 2721-9778
Fax: (852) 2722-1369

Japan

9F, Tonetsu Shinkawa Bldg.
1-24-8 Shinkawa
Chuo-ku, Tokyo 104-0033
Japan
Tel: (81) 3-3523-3551
Fax: (81) 3-3523-7581

Atmel Operations

Memory

2325 Orchard Parkway
San Jose, CA 95131, USA
Tel: 1(408) 441-0311
Fax: 1(408) 436-4314

Microcontrollers

2325 Orchard Parkway
San Jose, CA 95131, USA
Tel: 1(408) 441-0311
Fax: 1(408) 436-4314

La Chantrerie
BP 70602
44306 Nantes Cedex 3, France
Tel: (33) 2-40-18-18-18
Fax: (33) 2-40-18-19-60

ASIC/ASSP/Smart Cards

Zone Industrielle
13106 Rousset Cedex, France
Tel: (33) 4-42-53-60-00
Fax: (33) 4-42-53-60-01

1150 East Cheyenne Mtn. Blvd.
Colorado Springs, CO 80906, USA
Tel: 1(719) 576-3300
Fax: 1(719) 540-1759

Scottish Enterprise Technology Park
Maxwell Building
East Kilbride G75 0QR, Scotland
Tel: (44) 1355-803-000
Fax: (44) 1355-242-743

RF/Automotive

Theresienstrasse 2
Postfach 3535
74025 Heilbronn, Germany
Tel: (49) 71-31-67-0
Fax: (49) 71-31-67-2340

1150 East Cheyenne Mtn. Blvd.
Colorado Springs, CO 80906, USA
Tel: 1(719) 576-3300
Fax: 1(719) 540-1759

Biometrics/Imaging/Hi-Rel MPU/ High Speed Converters/RF Datacom

Avenue de Rochepleine
BP 123
38521 Saint-Egreve Cedex, France
Tel: (33) 4-76-58-30-00
Fax: (33) 4-76-58-34-80



Literature Requests

www.atmel.com/literature

Disclaimer: Atmel Corporation makes no warranty for the use of its products, other than those expressly contained in the Company's standard warranty which is detailed in Atmel's Terms and Conditions located on the Company's web site. The Company assumes no responsibility for any errors which may appear in this document, reserves the right to change devices or specifications detailed herein at any time without notice, and does not make any commitment to update the information contained herein. No licenses to patents or other intellectual property of Atmel are granted by the Company in connection with the sale of Atmel products, expressly or by implication. Atmel's products are not authorized for use as critical components in life support devices or systems.

© Atmel Corporation 2003. All rights reserved. Atmel® and combinations thereof, are the registered trademarks of Atmel Corporation or its subsidiaries. ARM®, ARM® Thumb® and ARM Powered® are the registered trademarks of ARM Ltd. Other terms and product names may be the trademarks of others.



Printed on recycled paper.